

# SANICONDENS® Clim Pack



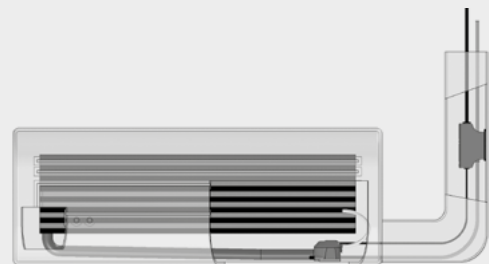
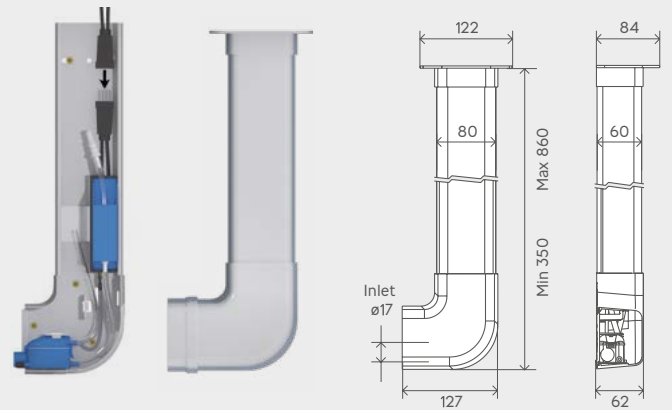
Product Ref: 1132

The Sanicondens® Clim Pack has been specifically designed to expel the condensate from air conditioning units. The pack contains the Clim Mini pump plus trimmable trunking for a neat finish.



## Why choose this product?

- Designed for air conditioning units
- Supplied with trunking that can be trimmed to size
- Very quiet operation



**Discharge Pipework**  
8.5/10.5mm

**Motor Power**  
22 Watts

**Voltages**  
220-240 V/50 Hz

**Flow Rate**  
15L/h

**Product Weight**  
4kg

**IP Rating**  
IP20

Discharge height (m)

